



# PARS SHIR Mfg. Co.

Technology & safety

## Model

### Brass taps without safety device – Type 4

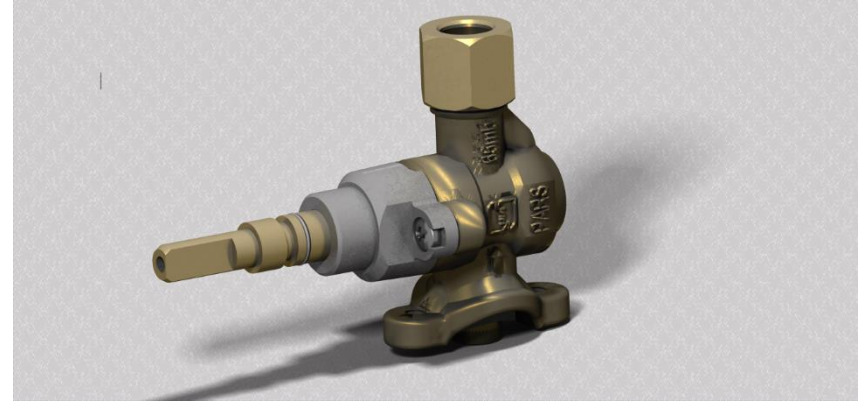
#### Construction

**Body:** Forged Body

**Cone:** Brass

**Cap:** Die cast aluminum alloy

**Spindle:** Brass



#### Connections

**Standard Inlet:** Round 16 mm. diameter

**Standard Outlet:** M12×1 male

**Spindle dimension:** 6×4.6 mm.

Shape according to customer's request

#### Functional data

**Maximum working temperature:** 100°C

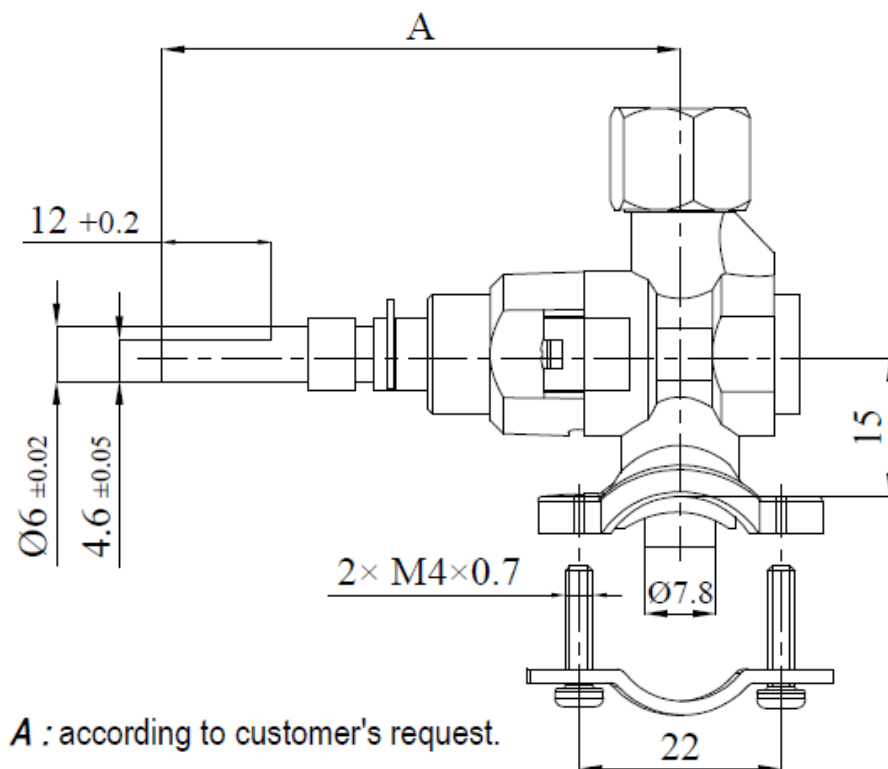
**Maximum working pressure:** 50 mbar

**Flow:** 360 l/h

**Internal leak tightness:** < 20 cc/h (at 150 mbar)

**Stroke:** 3.5 – 4 mm.

#### Overall dimensions



#### Brass

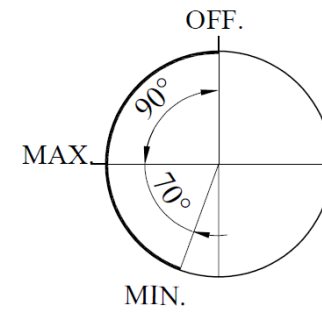
#### Installation

**Maximum inlet torque:** 1.5 Nm.

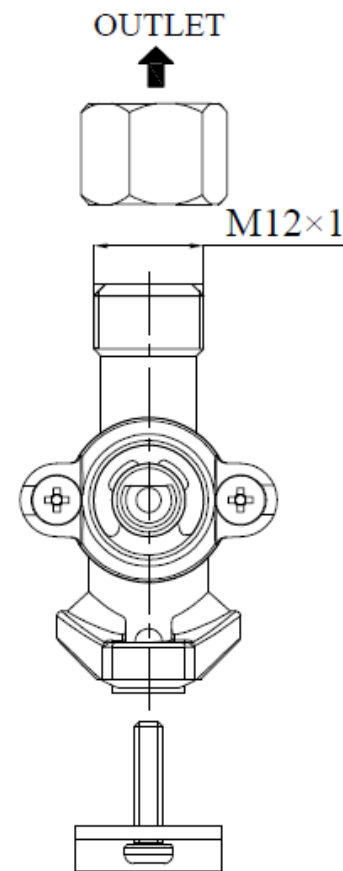
**Maximum outlet torque:** 15 Nm.

**Maximum injector torque:** 4 Nm.

#### Spindle rotation diagram



#### Operation sequence



#### Outlet according to customer's request

Outlet		
1	M12×1	Type 1
2	M12×1	Type 2

