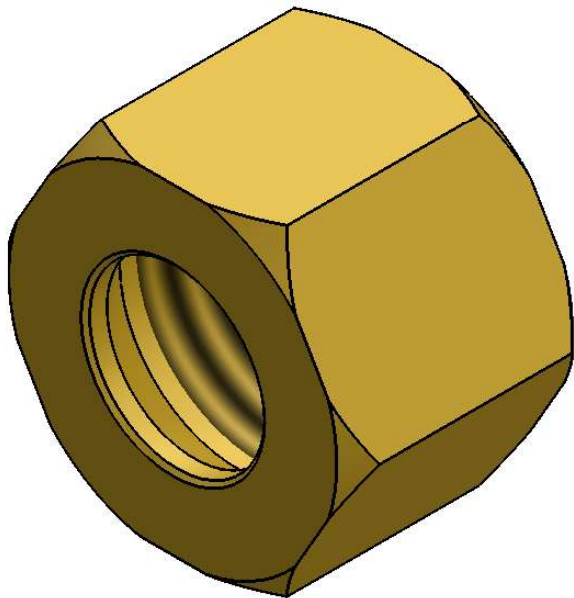




A-A (5 : 1)



TITLE	NAME	SIGNATURE	DATE	 PARS - SHIR		
DRAWN	Mardaneh		97/07/14			TITLE: Outlet Nut مهره خروجی البو خور G1/4"
CONTROL	Paykari					
CHECK	Farahani					
APPROVE	Seddigh					
MATERIAL:		MS.58		OPC. Final		SIZE: A4
TOLLRANCE:		DIN7168(m)		DWG NO. 320 32 00		
		UNIT: m.m		SHEET 1 OF 1		REVISION : 7
						SCALE : 5/1