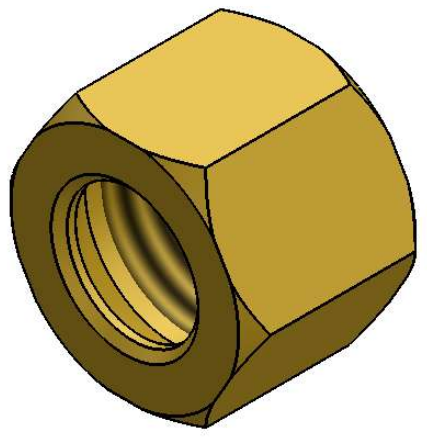




A-A (5 : 1)



TITLE	NAME	SIGNATURE	DATE	 PARS - SHIR	
DRAWN	Mardaneh		96/12/09	TITLE: Outlet Nut مهره خروجی الیو خور M12x1	
CONTROL	Paykari				
CHECK	Farahani				
APPROVE	Seddigh				
MATERIAL:		MS.58		OPC.	Final
TOLLERANCE:		DIN7168(m)		DWG NO.	343 32 00/2
 UNIT: m.m		SHEET 1 OF 1		REVISION : 4	SCALE : 5/1

SIZE:
A4