



PARS SHIR Mfg. Co.
Technology & safety

Model

Vertical extruded aluminium thermocouple valve – Type 3

Extruded aluminium alloy gas taps with safety device

Construction

Body: Extruded aluminium alloy

Cone: Brass / aluminium alloy

Cap: Die cast aluminium alloy

Spindle: Brass

Connections

Standard Inlet: Round 16 mm. diameter

Standard Outlet: M12×1 / M13×1 female

Spindle dimension: 4.6×6 mm.

Shape according to customer's request

Functional data

Maximum working temperature: 100°C

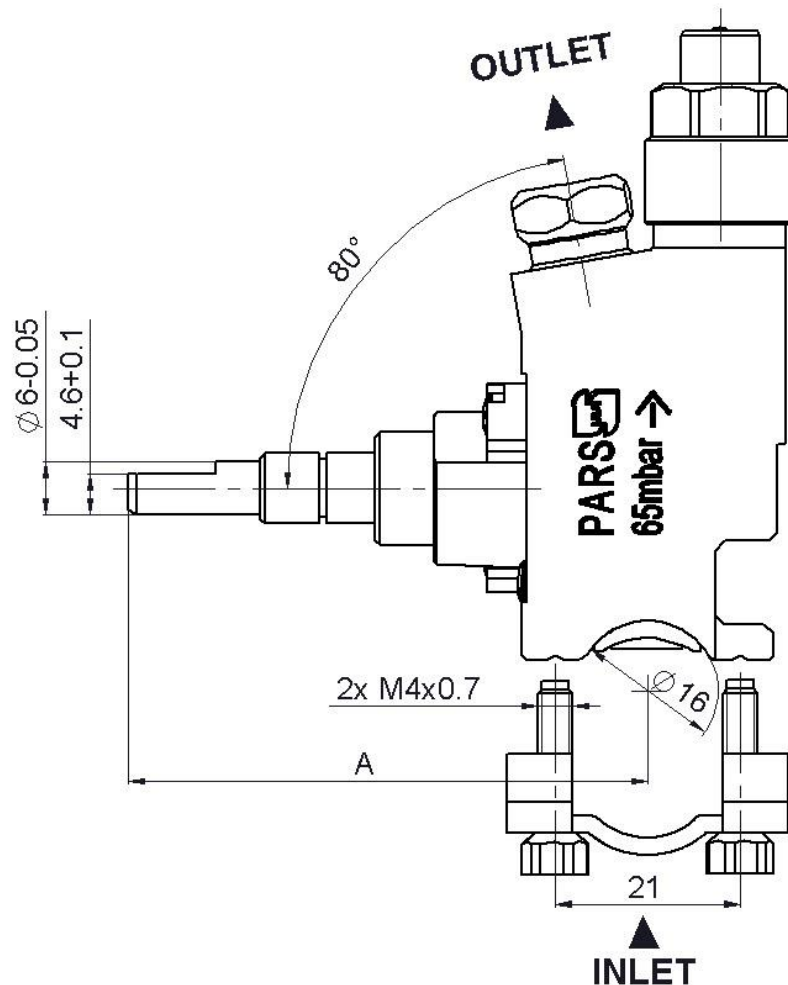
Maximum working pressure: 65 mbar

Flow: 360 l/h

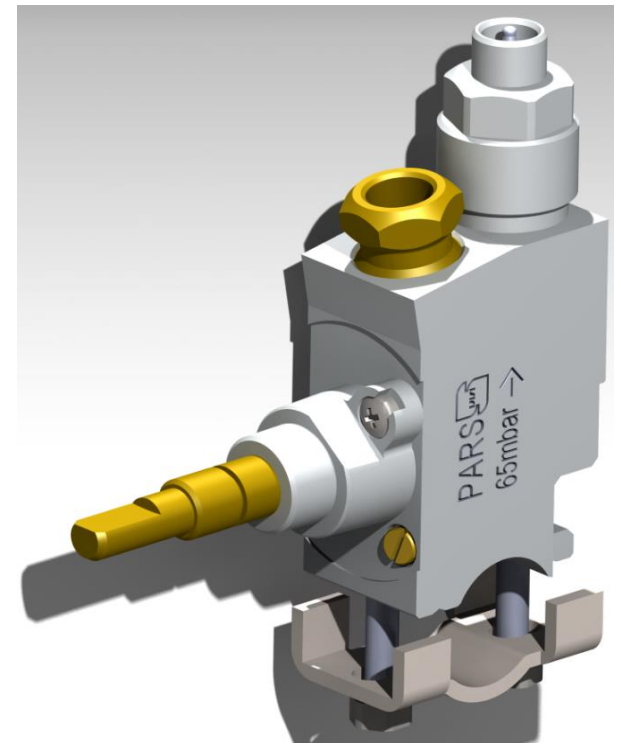
Internal leak tightness: < 20 cc/h (at 150 mbar)

Stroke: 3.5 - 4 mm.

Overall dimensions



A= According to customer request.



Installation

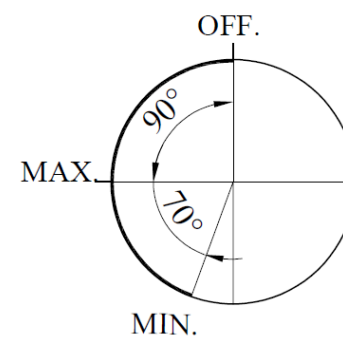
Maximum inlet torque: 1.5 Nm.

Maximum outlet torque: 15 Nm.

Maximum injector torque: 4 Nm.

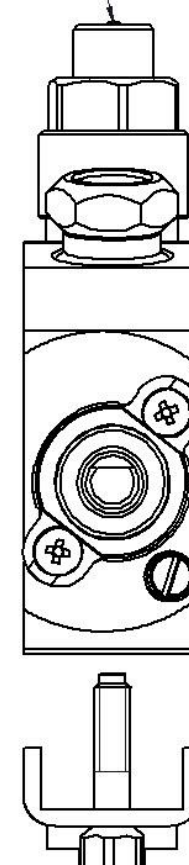
Maximum M8×1 thermocouple torque: 4 Nm.

Spindle rotation diagram



Operation sequence

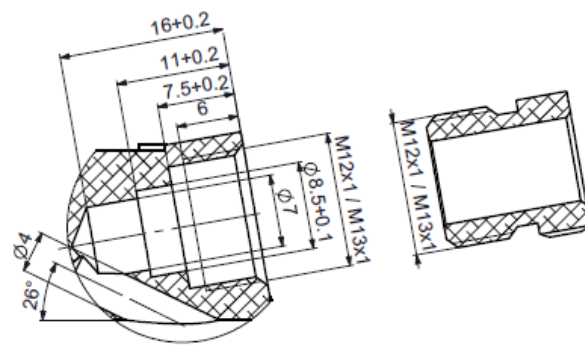
Quick Connection



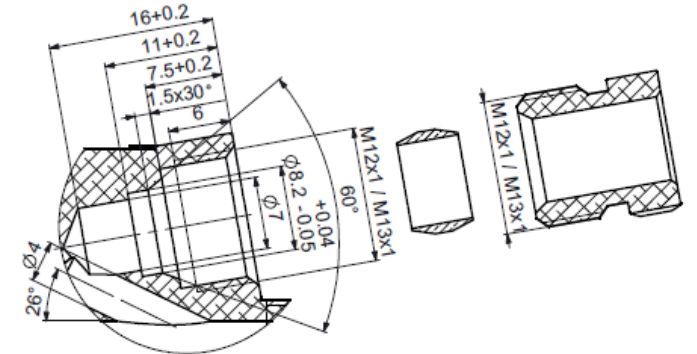


Outlet according to customer's request

Outlet types	
1	Type 1
2	Type 2



Type 1



Type 2