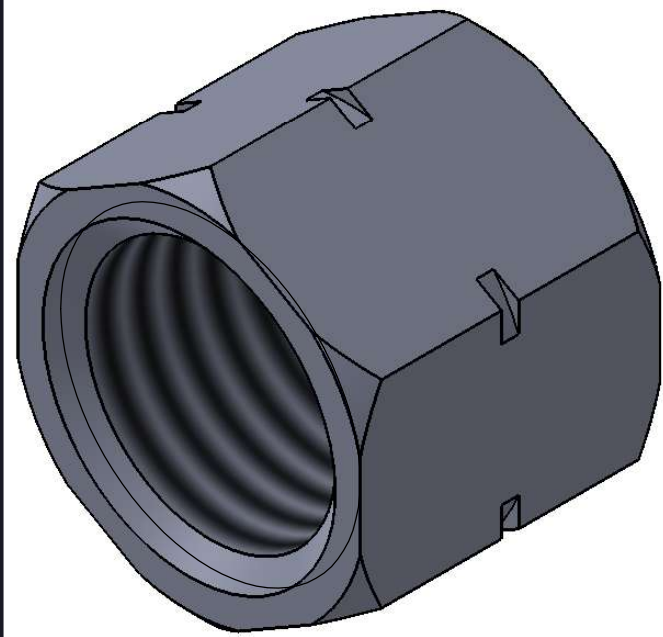




A-A (4 : 1)



TITLE	NAME	SIGNATURE	DATE	 <b>PARS - SHIR</b>		
DRAWN	Mardaneh		98/03/28	TITLE: Outlet Nut مهره خروجی شیر ترموستات G1/4"		
CONTROL	Paykari					
CHECK	Farahani					
APPROVE	Seddigh					
MATERIAL:		Transmission		OPC.	Final	SIZE:
TOLLRANCE:		DIN7168(m)		DWG NO.	402 32 00/2	A4
		UNIT: m.m		SHEET	1 OF 1	REVISION: 8
						SCALE: 4/1